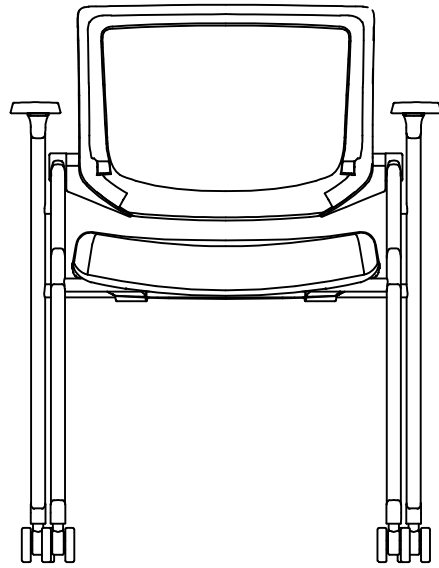
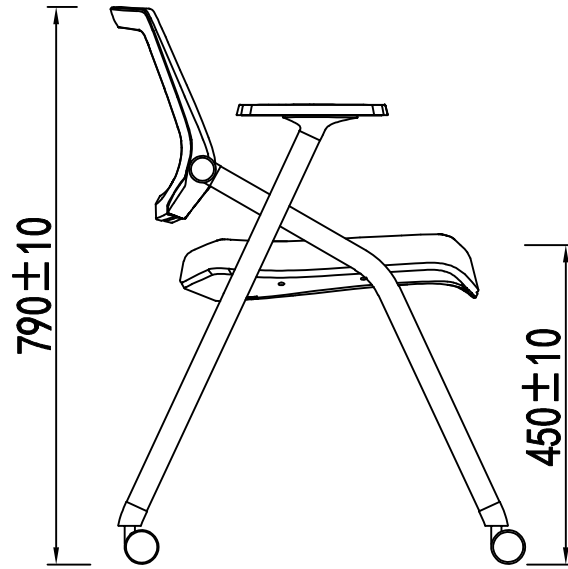


635 ± 10



595 ± 10
435 ± 10



450 ± 10

